

# Tractor Configuration Sheet

Brand: \_\_\_\_\_ Model: \_\_\_\_\_

## TRACTOR DIMENSIONS AND CHARACTERISTICS



Total weight (no counterweights or implements): \_\_\_\_\_ kg

Front Track Width: \_\_\_\_\_ cm      Wheelbase: \_\_\_\_\_ cm

Rear Track Width: \_\_\_\_\_ cm      Distance to Hitch: \_\_\_\_\_ cm

## FRONT COUNTERWEIGHT

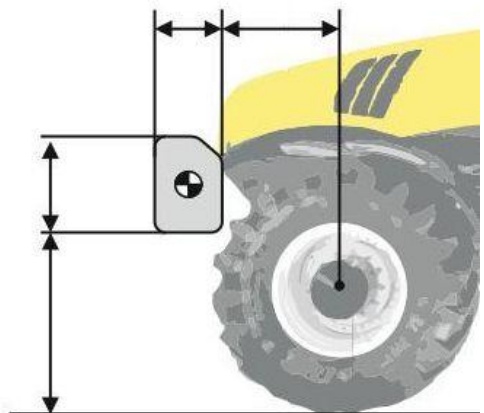
Weight: \_\_\_\_\_ kg

Length: \_\_\_\_\_ cm

Width: \_\_\_\_\_ cm

Distance to Front Axle: \_\_\_\_\_ cm

Height from Ground: \_\_\_\_\_ cm

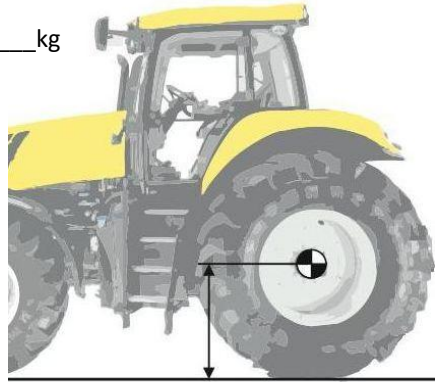


# Tractor Configuration Sheet

## REAR WHEELS COUNTERWEIGHT (INCLUDING WATER)

Weight in each Wheel (including water): \_\_\_\_\_ kg

Wheel Radius: \_\_\_\_\_ cm



## 3 POINT HITCH IMPLEMENT

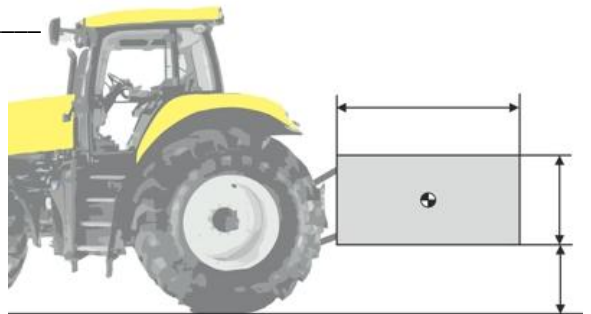
Type of Implement: \_\_\_\_\_

Weight: \_\_\_\_\_ kg

Length: \_\_\_\_\_ cm

Height: \_\_\_\_\_ cm

Height from Ground: \_\_\_\_\_ cm



(When the 3 Point Hitch is completely up)

## FRONT TANK

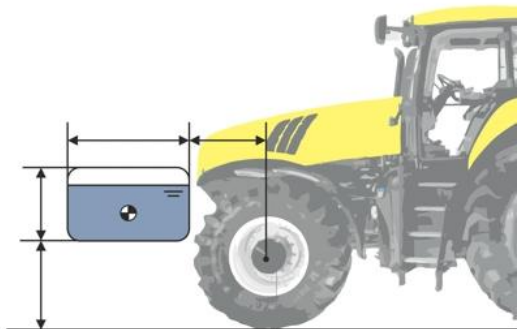
Weight/Capacity: \_\_\_\_\_ kg

Length: \_\_\_\_\_ cm

Height: \_\_\_\_\_ cm

Distance to Front Axle: \_\_\_\_\_ cm

Height to Ground: \_\_\_\_\_ cm



# Tractor Configuration Sheet

## LIFTMOUNTED SPRAYER/MISTBLOWER AND TANK

1. Tank Capacity: \_\_\_\_\_ litres      2. Tank Height from Ground: \_\_\_\_\_ cm

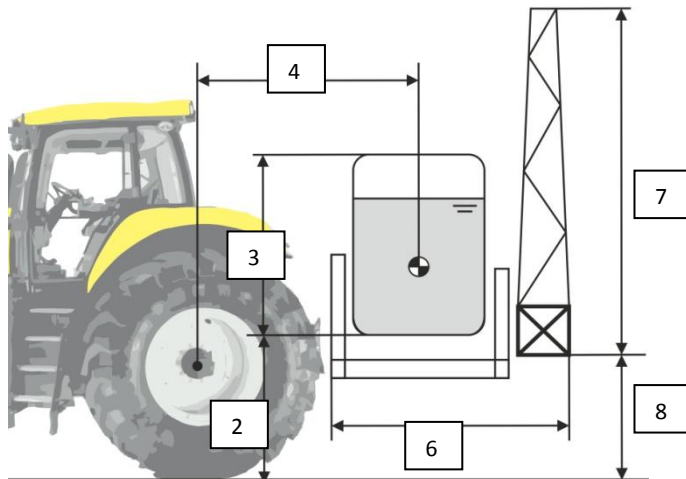
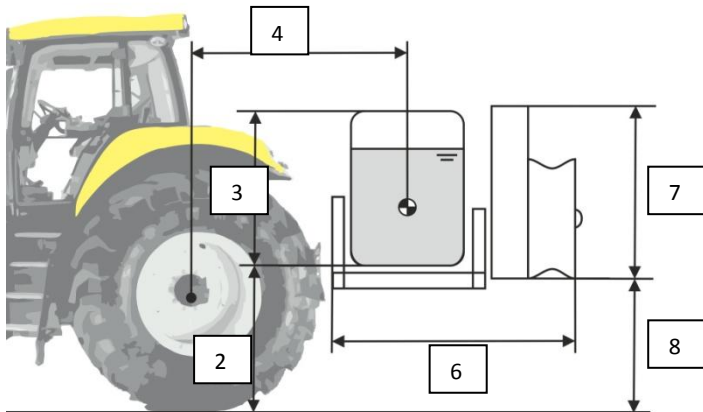
3. Tank Height: \_\_\_\_\_ cm

4. Distance from tank center to Rear Axle: \_\_\_\_\_ cm

5. Equipment Weight: \_\_\_\_\_ kg      6. Equipment Length: \_\_\_\_\_ cm

7. Equipment Height: \_\_\_\_\_ cm

8. Sprayer/Mistblower Height from Ground: \_\_\_\_\_ cm



# Tractor Configuration Sheet

---

## FRONT LOADER – SHOVEL – VIBRATING SHAKER

Weight: \_\_\_\_\_ kg

Maximum Load / Vibrating Shaker Weight: \_\_\_\_\_ kg

Arm Length / length to Vibrating shaker: \_\_\_\_\_ cm

Horizontal Distance from Joint to front Axle: \_\_\_\_\_ cm

Joint Height from Ground: \_\_\_\_\_ cm

